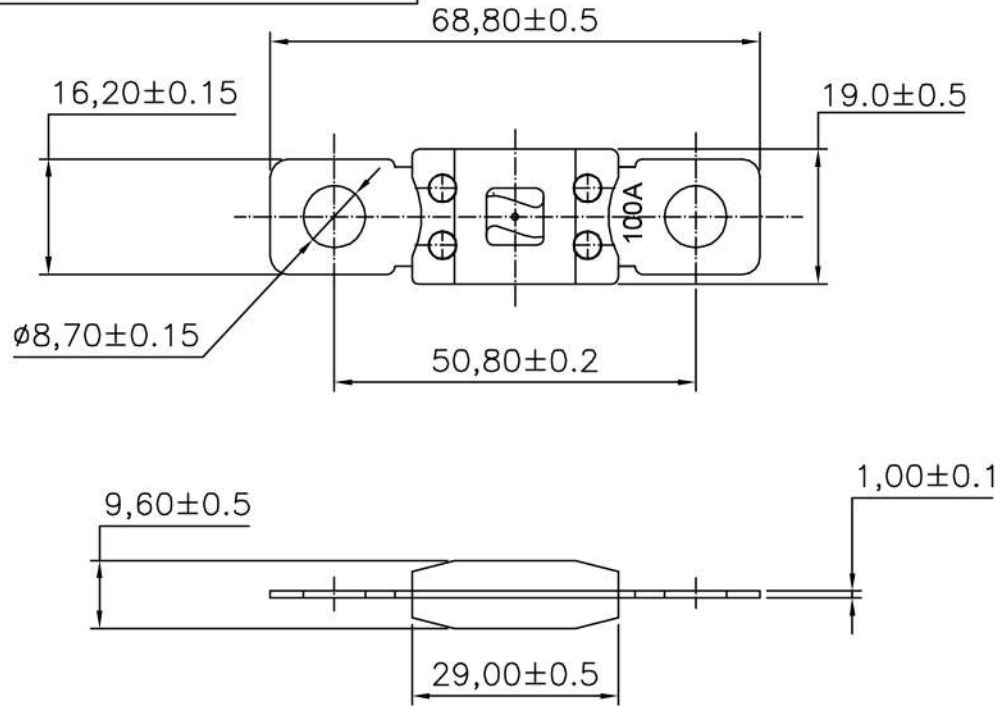


ALL INFORMATION CONTAINED OR DISCLOSED BY THIS DOCUMENT IS CONSIDERED CONFIDENTIAL AND PROPRIETARY BY ANDU ELECTRONICS CO.,LTD. ALL DESIGN, MANUFACTURING, USE, REPRODUCTION, AND ALL SALES RIGHTS, ARE EXPRESSLY RESERVED BY ANDU TO ANDU ELECTRONICS CO.,LTD.

DRAWING REVISIONS				
REV	S/N	DESCRIPTION	APPROVED	DATE
A	20080210-011	ORIGINAL RELEASE		



NOTES: UNLESS OTHERWISE SPECIFIED.

1. Interrupting Rating: 2000A@32VDC;
2. Voltage Rating: 32VDC;
3. Operating Temperature Range: -40°C ~ 125°C;
4. Terminals: Copper/Zn alloy.
5. Housing Material: PA66/PPA(33% or 35%GF);
6. Mounting torque: 12-18Nm W/M8;
7. Functional Characteristics

TESTING CURRENT	BLOW TIME LIMIT
100%	4Hr. minimum
135%	120seconds---1800seconds
200%	1seconds --- 15seconds
350%	0.3sec-5sec
600%	0.1sec-1sec

8. Standard: ISO8820-5/UL248 special purpose fuses;
9. "*" not mentioned in ISO standards;
10. "***" is only for short circuit protector;

14	48V	500A **	ANM-500A
13	48V	450A **	ANM-450A
12	48V	400A **	ANM-400A
11	48V	350A **	ANM-350A
10	48V	300A **	ANM-150A
9	48V	250A	ANM-250A
8	48V	200A	ANM-200A
7	48V	175A	ANM-175A
6	48V	150A	ANM-150A
5	48V	125A	ANM-125A
4	48V	100A	ANM-100A
3	48V	80A	ANM-80A
2	48V	60A *	ANM-60A
1	48V	40A *	ANM-40A
ITEM	Voltage rating	RATING	ASSEMBLY P/N

Off-gridcentrum

UNLESS OTHERWISE STATED		Fasten Fuse				CUSTOMER		
WALL THICKNESS		FOR ANM						
LINEAR	.XX	± 0.15	MM	DSGN	Tommy Qiu	07-12-08	SCALE	free
	.XXX	± 0.05	MM	DFTS	Tommy Qiu	07-12-08	SHEET	1 OF 1
ANGULAR		± 0.5	DEG	CHKD			PART NO.	
DRAFT ANGLE/SIDE		0.5	° MAX	APPD			ANM	REV
BURR & FLASH		0.10	MAX					
BREAK CORNERS		0.20	R.MAX					
PARTING LINE MISMATCH		0.05	MAX					