

Receiver
From

 Society
 Reference
 Address
 Phone
 Fax
 E-mail

Item n° :

60141884

Model :

AQUAJET-INOX 82 M-G

Pump data

 Pressure rating : 8 bar (800 kPa)
 Min. fluid temperature : 0 °C
 Max. fluid temperature : 35 °C
 Max. Temperature operating : 40 °C

Priming capacity :

| | | | | | | | | | |
|---|------|------|------|------|------|------|------|------|------|
| H | m | 2 | 3 | 4 | 5 | 6 | 7 | 8 | 9 |
| Q | m³/h | 3.06 | 2.82 | 2.46 | 2.28 | 2.04 | 1.68 | 1.38 | 1.08 |

Requested data

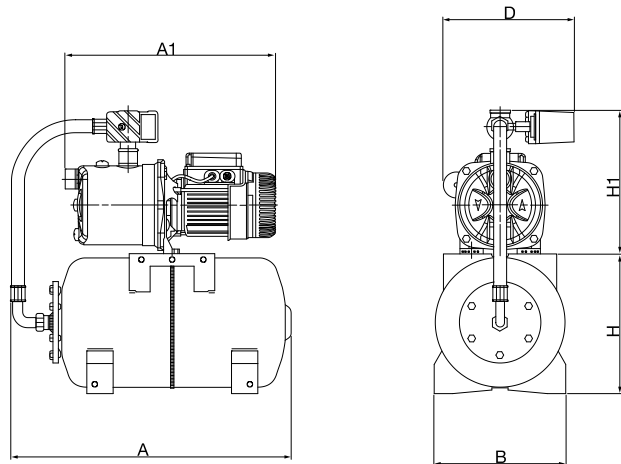
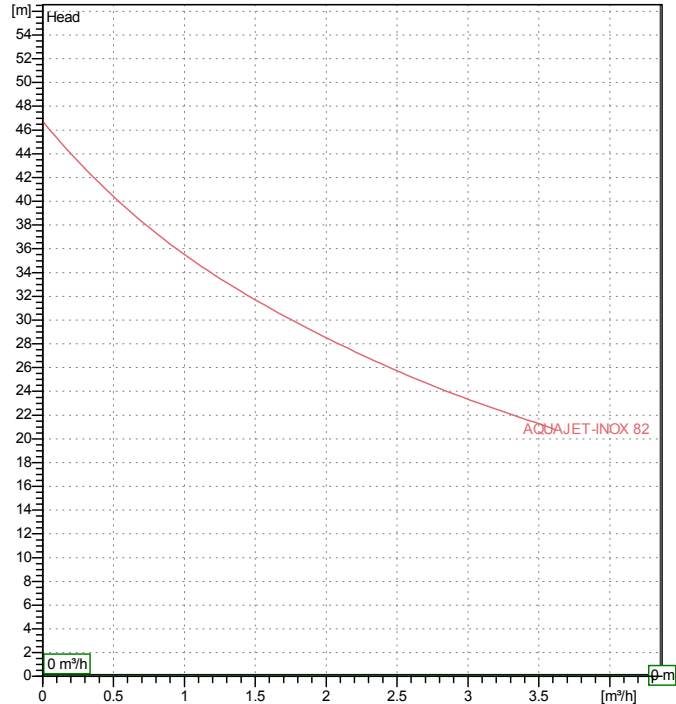
 Flow : 0.00 m³/h
 Head : 0.00 m
 Fluid : Water, pure
 Fluid Temperature : 20 °C
 Density : 998.3 kg/m³
 Kinematic viscosity : 1.005 mm²/s
 Vapor pressure : 100.00 kPa

Hydraulic data (duty point)

 Flow :
 Head :

Materials

| | |
|------------------|-------------------------------------|
| Pump body | AISI 304 X5 Cr Ni 1810 UNI 6900/71 |
| Impeller | Technopoly mer A |
| Shaft with rotor | AISI 303 X10 CrNiS 1809 UNI 6900/71 |
| OR ring | NBR Rubber |
| Diffuser | Technopoly mer A |
| Mechanical seal | Carbon/Ceramic |
| Disc seal | AISI 304 X5 Cr Ni 1810 UNI 6900/71 |

Curve tolerance according to ISO 9906

Motor data

 Motor brand : DAB
 Nominal power P2: 0.6 kW
 Rated speed: 2750 rpm
 Rated voltage : 1~ 220-240 V 50 Hz
 Nominal current : 3.8 A
 Degree of protection : IP 44

Dimensions in
mm

| | | | | | | | |
|-----|---------------|-----|---------------|--|--|--|--|
| A | not available | DNA | 1"G | | | | |
| A1 | 406 | H | not available | | | | |
| B | not available | H | 276 | | | | |
| DNA | 1"G | | | | | | |

Weight : 15.3 kg

Pump connection

 Suction side 1 " G / 8 bar (800 kPa)
 Discharge side 1 " G / 8 bar (800 kPa)



PERFORMANCE CURVES

20/03/2014

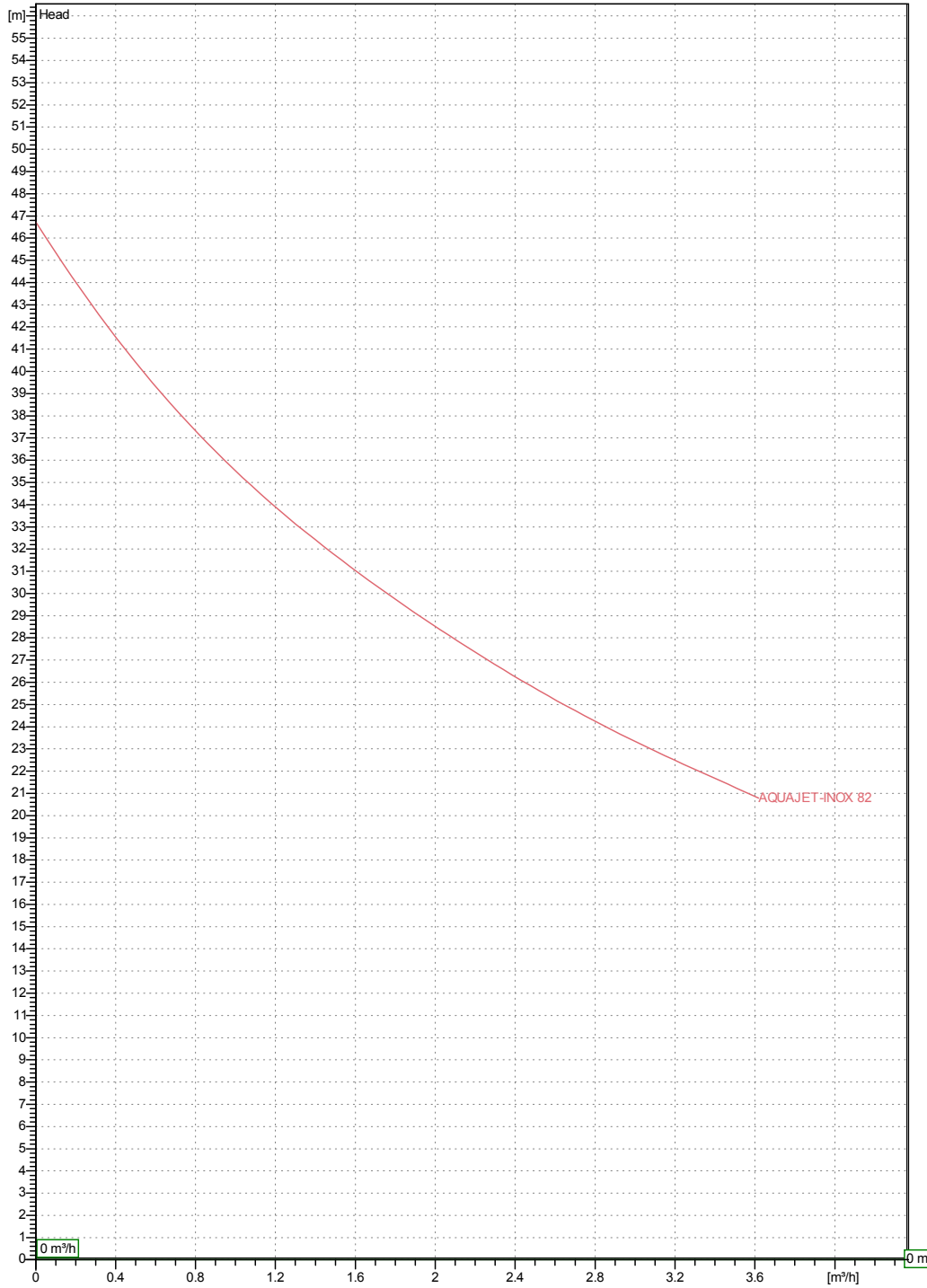
Page 2 / 3

DAB PUMPS S.p.A.
Via Marco Polo, 14 - 35035 Mestrino (PD), Italy
Tel. +39 049 5125000 - Fax +39 049 5125950
www.dabpumps.com

| | | |
|---|-----------------|-------------|
| Society Reference Address Phone Fax E-mail | Receiver | From |
| | | |

AQUAJET-INOX 82 M-G

Curve tolerance according to ISO 9906



Hydraulic data (duty point)

| | | | | |
|--|--|------------------|---------------------------------|--------------------------|
| Suction side 1 " G 8 bar (800 kPa) | Discharge side 1 " G 8 bar (800 kPa) | Flow : 0 m³/h | Head : 0 m | Rated speed: 2750 rpm |
| Project | Project ID | Created by | Created on 20/03/2014 | |



WATER • TECHNOLOGY

DIMENSIONAL DRAWING

20/03/2014

Page 3 / 3

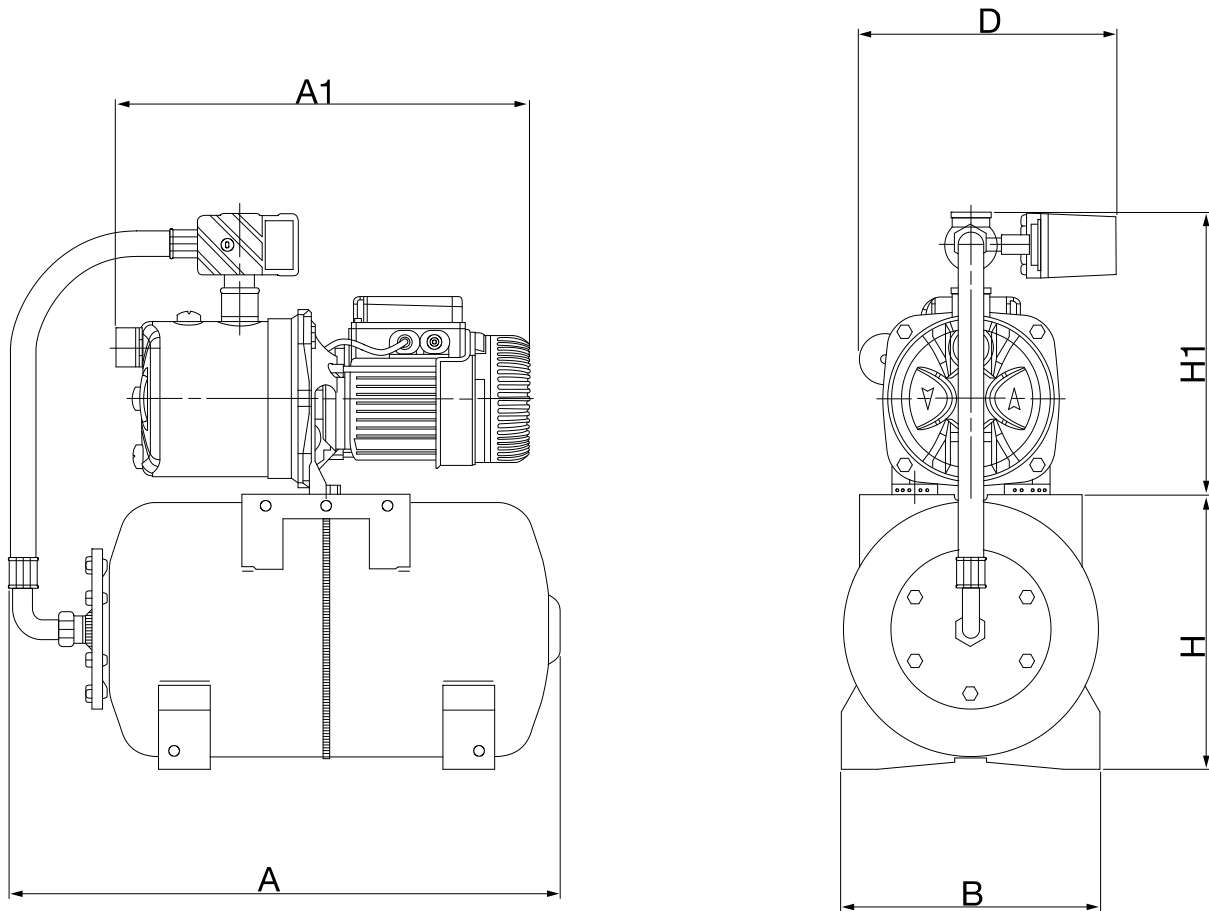
DAB PUMPS S.p.A.
Via Marco Polo, 14 - 35035 Mestrino (PD), Italy
Tel. +39 049 5125000 - Fax +39 049 5125950
www.dabpumps.com

Receiver

From

Society
Reference
Address
Phone
Fax
E-mail

AQUAJET-INOX 82 M-G



Dimensions in mm

| | | |
|---|-----|---------------|
| 1 | A | not available |
| 2 | A1 | 406 |
| 3 | B | not available |
| 4 | DNA | 1"G |
| 5 | DNM | 1"G |
| 6 | H | not available |
| 7 | H1 | 276 |

Pump connection

Suction
1 " G
8 bar (800 kPa)

Discharge
1 " G
8 bar (800 kPa)

Project

Project ID

Created by

Created on

20/03/2014